



FD 900 *STAGE 5*

Hydrostatic lawnmower with collection and front cutting deck

Grillo

AGRIGARDEN MACHINES

FD 900

GRILLO designs and builds machines always giving careful consideration to the operator's needs, to transform work into pleasure



Grillo is your guarantee of quality. The company strives for continuous improvement through innovation. Continuous improvement results in quality and reliability and this, combined with excellent customer and spare parts service, means that Grillo machines retain their value over time.



FD 900

Permanent 4WD and great maneuverability

The Grillo FD 900 is a hydrostatic mower with hydraulic 4WD (permanent on tight turns). It is equipped with a 126 cm front cutting deck and a grass catcher with a discharge height of 195 cm and a rear overhang of 30 cm.

Its narrow steering radius of 37 cm and its compact dimensions make this mower easy to maneuver and safe on slopes!

Thanks to its impressive performance and compact dimensions, this mower is ideal for the maintenance of large areas, gardens and parks dotted with trees.



Automatic stability control system engaging and disengaging the differential lock.



The innovative permanent 4WD ensures, via the hydraulic differential, **maximum grip under all working conditions and even on tight turns without damaging the grass.** Perfect weight distribution combined with the automatic and/or manual differential lock make this mower safe and steady when cutting on slopes.

The rear axle tilts allowing 4WD on uneven ground as well.

The TURF profile tyres and their size exert low ground pressure on the grass even when the grass-catcher is full.

FD 900

Professional cutting deck for an excellent cut

Innovative and robust **126 cm front cutting deck** to cut in the most demanding conditions (under low branches and bushes etc..).

The cutting deck has 3 blades, two side blades plus one central front blade. This cutting system ensures reduced noise emissions and a high-quality cut.

Each of the two main blades is equipped with a "fan" for increased grass collection and to allow an excellent cut even with high and wet spring grass.

The cutting height adjustment is centralised and hydraulic, and is operated via an electric push-button on the dashboard.

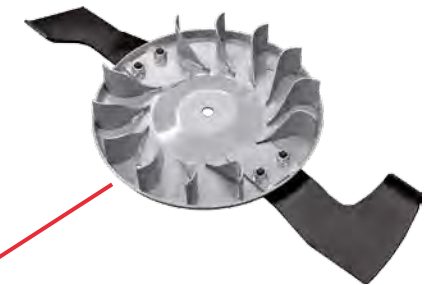
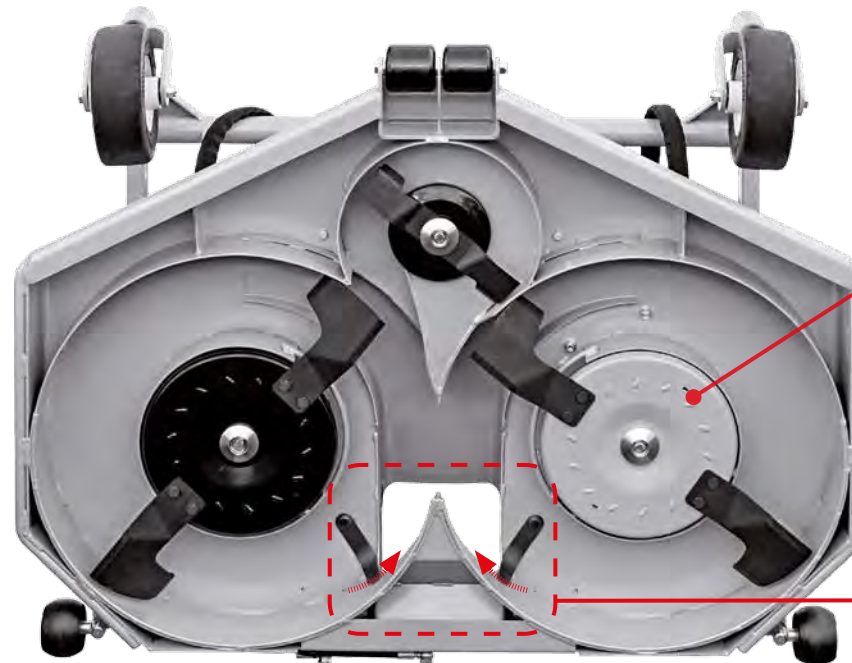
The cutting height can be continuously adjusted from 2 cm to 10 cm, an ideal feature to achieve excellent results in sport fields.

The cutting deck floats hydraulically, maintaining constant surface pressure in all conditions allowing it to perfectly suit uneven ground.

The cutting deck is equipped with solid, puncture-proof wheels and the height of its anti-scalp rollers, mounted on bearings, is adjustable.

The whole cutting deck system is driven by a primary PTO cardan joint transmission and a secondary belt transmission. It can be tilted for inspection and maintenance without disconnecting any components.

The cutting deck can be easily converted to a mulch version by purchasing the optional kit.



Blades are fitted with a fan

The cutting deck is fitted with a **hydraulic cleaning system in the loading chute**.

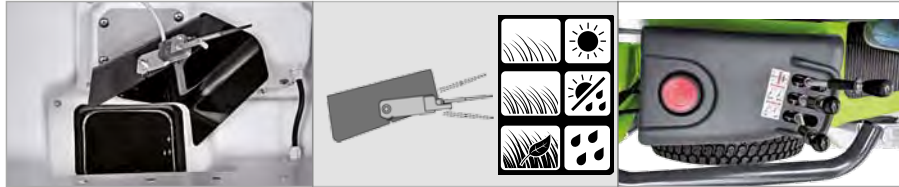
It is activated automatically each time the grass collector is emptied.



FD 900

Direct grass collection, reduced noise emissions and large capacity grass-catcher

The grass-catcher has a capacity of 750 litres and it is equipped with a hydraulic lifting and tipping & automatic opening system. The max discharge height is 195 cm with a rear overhang of 30 cm. Inside the grass-catcher the motorised grass baffle ensures complete and even compaction of grass independent of grass conditions, thanks to a sensor that can be adjusted in three different positions. This sensor detects when the grass-catcher is full and disconnects the blades to prevent clogging. The grass-catcher door is locked automatically.



The hydraulic services of both the grass-catcher and cutting deck are activated via practical levers fitted with safety system devices and are located on the dashboard. It is very easy and quick to empty grass into a truck and also easy to raise the cutting deck when negotiating obstacles or kerbs.



The FD 900 can be equipped with an all-purpose flail too

The 130 cm all-purpose flail for the FD 900 is equipped with 42 pairs of Y-shaped blades, its cutting height can range from 2 to 10 cm, it is fitted with double couplings and it can be mounted in the middle or shifted by 16 cm to the right, to cut on the verges of ditches, after having secured the wheels.

The all purpose flail is equipped with a rear, anti-scalp roller whose cutting height is quickly adjustable via gear rack.

It is fitted with front, solid, puncture-proof wheels and its oil-bath gearbox has a helical bevel unit. All of these features ensure low noise emissions during work.

This attachment is also equipped with a blade brake, a grinding bar, anti-thorn protections behind the wheels spindles and an adjustable front baffle of the cutting chamber.

Scarifier blade kit on demand



FD 900

Comfort and safety

Easy maintenance



The FD 900 is equipped with a Yanmar 3TNV80F diesel engine, 25 HP, three cylinders, compliant with the directives EC (NRMN) STAGE V (EUROPE) and EPA FINAL TIER 4 (USA), mounted on shock-absorbers into a very robust frame, designed to protect the machine main components.

The mower comes with a spacious, comfortable and ergonomic driver's seat.

This seat has suspension, is adjustable and fitted with metal side protections.

The steering is hydraulic. **Everything has been designed to make the operator's work easy and comfortable even after long working periods.**

The engine is water cooled with a self-cleaning radiator, the electro valve for cooling reverses the fan rotation to remove any residue of grass from the radiator.

This happens automatically via a sensor but it can also be activated manually.

The radiator and the tank open outward to facilitate inspection and cleaning.

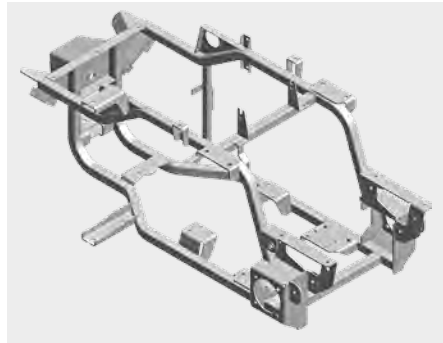
Access to the pre-filter, air filter, diesel filter and its decanter plus the hydraulic oil filter is easy.

Even the battery is easily accessed, as well as the belt tensioner and the electromagnetic PTO clutch.

The loading chute can be easily removed for cleaning and maintenance.

The grass grid inside the grass-catcher can be removed for cleaning.

Standard equipment: foldable roll-bar (ISO21299) and lights approved for use on public roads.



Caring for quality

The FD 900 4WD, as with all Grillo products is designed and built to last and retain its value over many years. All components, from the simplest to the most complex, are of a high quality standard.

Frame, transmission, cutting deck, everything is built by Grillo in Italy using only premium materials and cutting-edge technology. All this to achieve a constant and 100% controlled high level quality.

Varnishing of Grillo machines consists of a double electrostatic powder coated process. Grillo mowers have been assembled with care in every detail and tested scrupulously by specialized personnel.

Final inspection means a machine whose engine has been run in order to check its performance.

Values that make the difference beyond the product

Guarantee and Spare parts Service

Guaranteed machines and solutions.

Spare parts service with fast delivery times even for 30-year-old machines: value guaranteed over time.



Grillo Technical Assistance

Efficient, practical pre- and after-sales service with a single goal: to always give our Customers quick, efficient answers

GRILLO DEALERS

Specialized stores around the country are able to understand your specific needs to guide you toward the right choice.

You will be met with quality, courtesy and a chance to view and try all Grillo products.

GTS Grillo Top Service

On-site presentation and demonstration.



